

# Solar Tracking Bracket Bearings

太阳能跟踪支架轴承

CRB

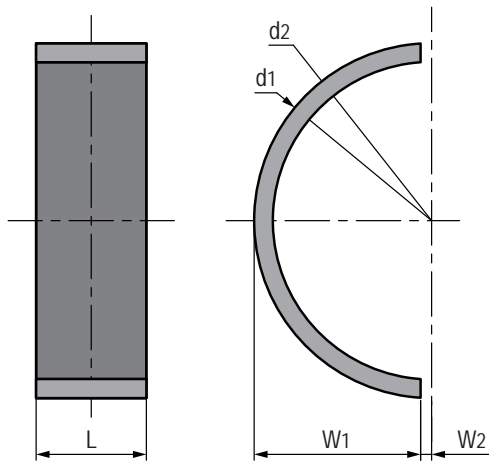
## 光热聚光镜跟踪支架轴承 Concentrator support bracket bearings



### 产品特性 Product features

- 长纤维与高强度树脂制成
  - 最高动载荷140MPa
  - 自润滑、免维护
  - 低摩擦，耐磨损
  - 适用于聚光镜跟踪支架
- Made of long fiber and high-strength resin
  - Max. dynamic load 140MPa
  - Self-lubricating, maintenance-free
  - Low friction, wear resistance
  - Suitable for consecration mirror tracking bracket

### 标准规格 Standard specifications



产品编码 Part No.:

CRB-170190-59-HP

长度 Length

外径 Outer diameter

内径 Inner diameter

产品编码 Part No.	d1 [mm]	d2 [mm]	W1 [mm]	W2 [mm]	L [mm]
CRB-170190-59-HP	170	190	94	1	59
CRB-202216-120-HP	202	216	107	1	120

www.csb-ep.com  
sales@csb-ep.com

电话: 0573 84186133/84185527  
Tel: 0086 573 84187009

CRB

Plastic Plain Bearings